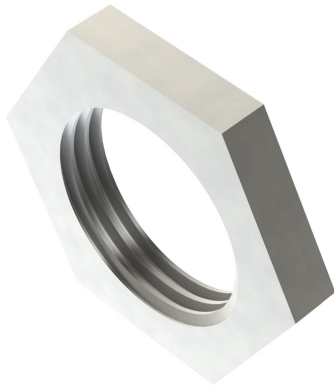


PRODUCT CODE: HN1G
LOCK NUT - HEAVY PATTERN



DESCRIPTION

20mm Lock Nut - Heavy Pattern

FINISH

BZP

MATERIAL

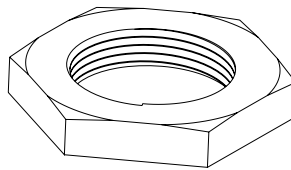
Steel

PACKAGING

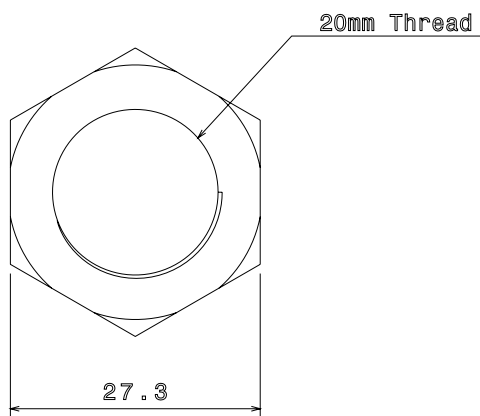
Packed in qty 100

ADDITIONAL NOTES

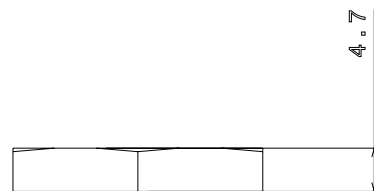
Conforms to BS EN61386-1
Compliant to LU Standard 1-085 (for use on surface & sub-surface locations)



Isometric view



Front view



Side view